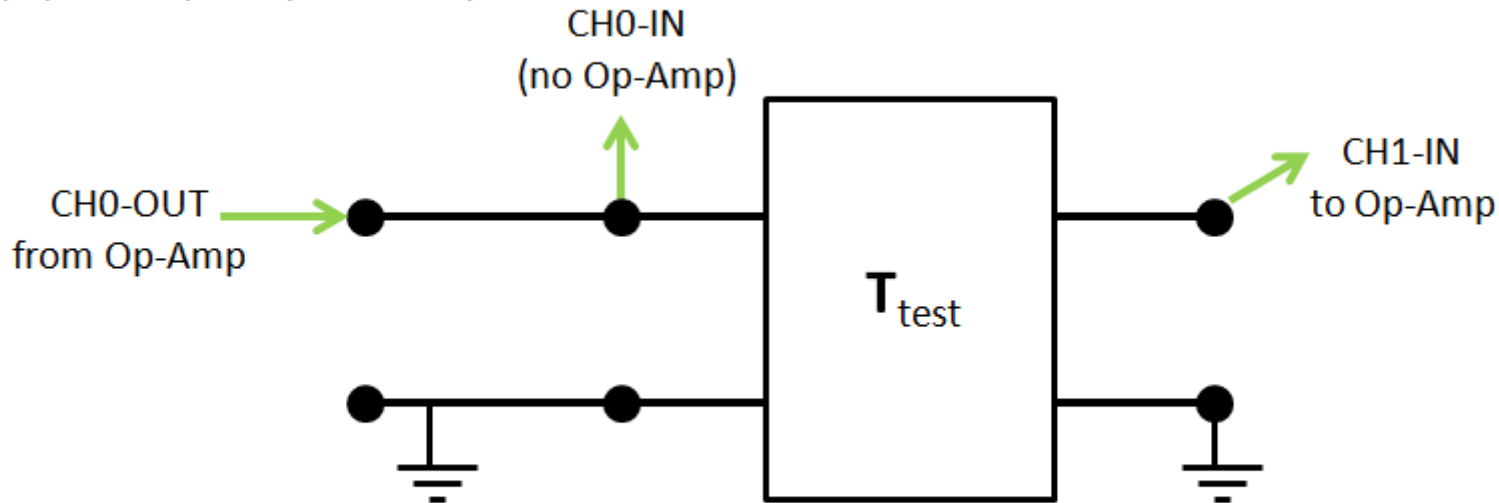


Measure Voltage Transfer Function of 2-Port
(2-port output: open circuit)



(Two-port network to measure,
characterized by ABCD matrix T_{test})