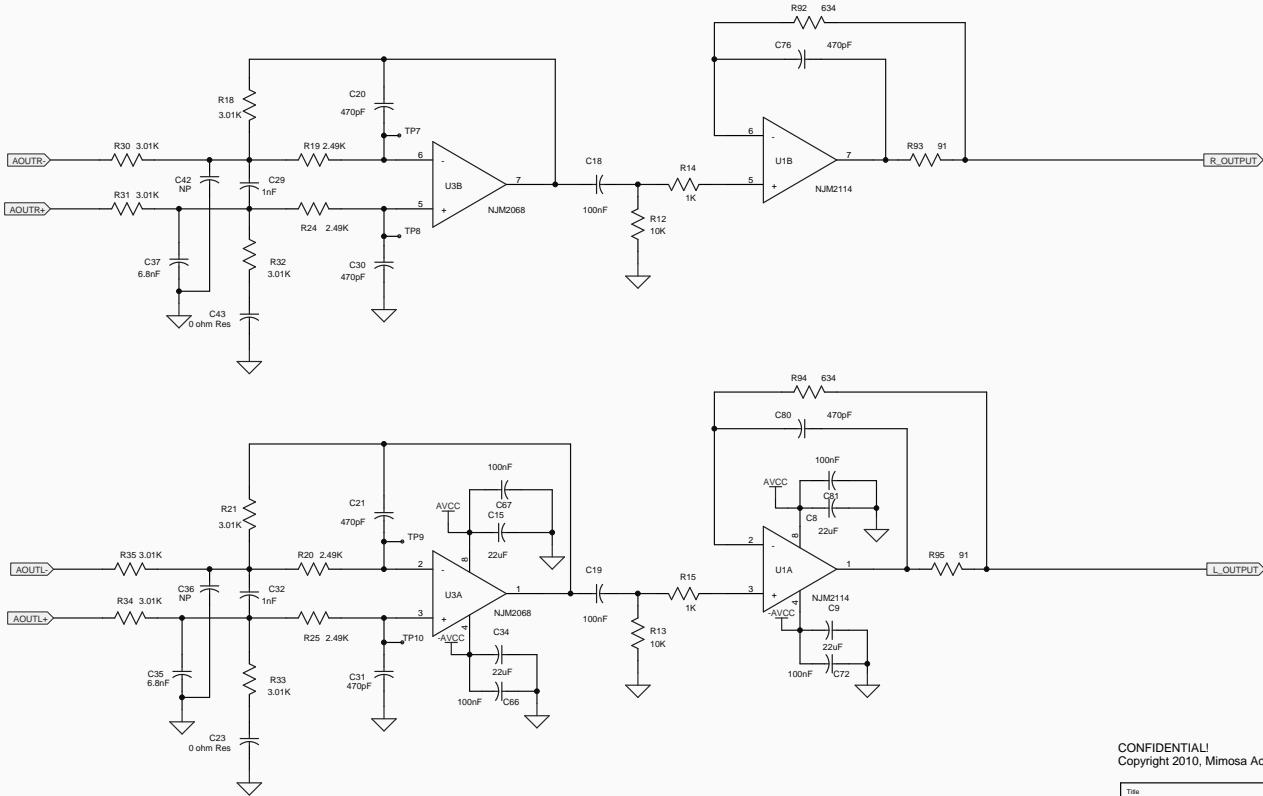


OUTPUTS



CONFIDENTIAL!
Copyright 2010, Mimosa Acoustics

GEN7 Combo Board		
Size	Number	Rev
B	PCB-Gen7 Combo	B
Date	11/20/10	Drawn by
Filename	OUTPUT.SCHDOC	Sheet 4 of 11